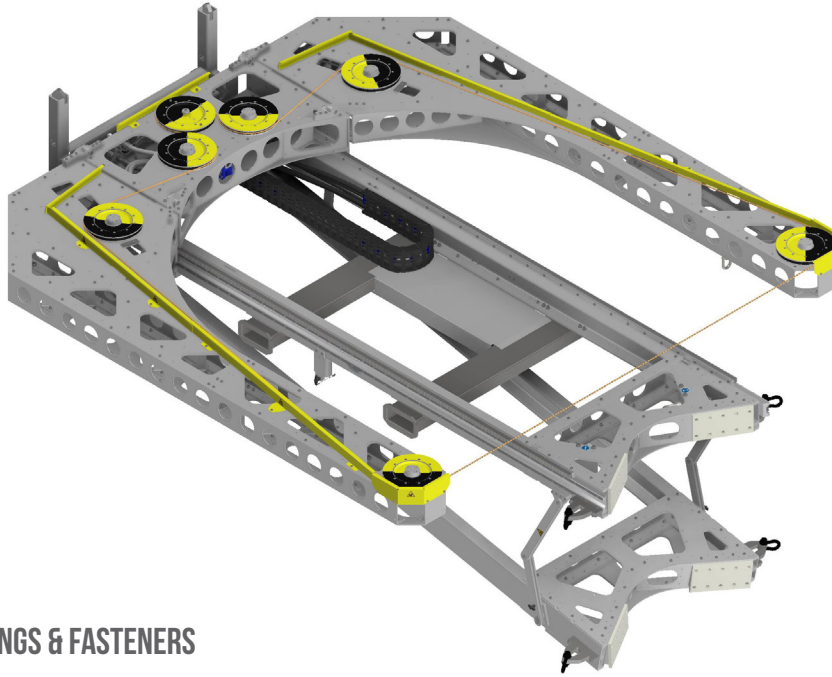


MACTECH

DWS-120i-AF-SS DIAMOND WIRE SAW 120" INLINE



PART# 607-0329

INLINE SAW

STAINLESS STEEL FITTINGS & FASTENERS

AUTOMATIC FEED OPERATION

SPECIFICATIONS		HYDRAULIC REQUIREMENTS	
Cutting Capacity	Ø 48" - Ø 120"	Drive	40 gpm @ 3000 psi
	Ø 1219 - Ø 3048mm		151 lpm @ 207 bar
Operating Dimensions	203" x 158" x 83"	Feed	.5 gpm @ 1000 psi
	5156 x 4013 x 2108mm		2 lpm @ 69 bar
Operating Weight	(Dry) 3500 lbs / (Wet) 2400lbs	Clamp	N/A
	(Dry) 1587kg / (Wet) 1088kg		N/A
ACCESSORIES AVAILABLE		PART NUMBER	
Water Hose System		607-0237	
Diamond Wire (Steel)		0443-4810P-0600	
Diamond Wire (Concrete)		0443-4010R-0600	
Diamond Wire (Premium Concrete)		0443-4410R-0600	
Hydraulic Control Cart		607-0105	
Support Package (Box, SP, TK)		607-0329-PKG	
Spares Kit		607-0329-SP	
Tool Kit		607-0329-TK	

All dimensions and hydraulic requirements are for reference and may be subject to change without notice. Machine performance is subject to application and operator capability; please discuss your requirements directly with a Mactech sales representative. All information given and all sales made by Mactech Inc. are subject to their terms and conditions.

MACTECH INC.
4079 PEPIN AVE UNIT 4
RED WING MN 55066
800-328-1488
INFO@MACTECHONSITE.COM

MACTECH OFFSHORE
302 IDA ROAD
BROUSSARD LA 70518
337-839-2793
INFO@MACTECHOFFSHORE.COM

MACTECH KENTUCKY
3880 INDUSTRIAL DRIVE
PADUCAH KY 42001
270-442-1559
INFO@MACTECHONSITE.COM

MACTECH WISCONSIN
2515 CLEVELAND AVE
MARINETTE WI 54143
800-328-1488
INFO@MACTECHONSITE.COM

MACTECH INTERNATIONAL
CONTACT US FROM ANYWHERE
AROUND THE WORLD
337-839-2793
INFO@MACTECHOFFSHORE.COM

WORK HARD

WORK SAFE

WE BEFORE ME

WELCOME CHALLENGES

WOW THEM